

L-810 LED OBSTRUCTION LIGHTS

FAA Type: L-810 Steady-Burning Obstruction Light

ICAO Type: Low Intensity Obstacle Light

ETL Certified to:

FAA Advisory Circular AC 150/5345-43E

Compliant to:

ICAO Annex 14, MIL-C-7989, DGAC of Mexico

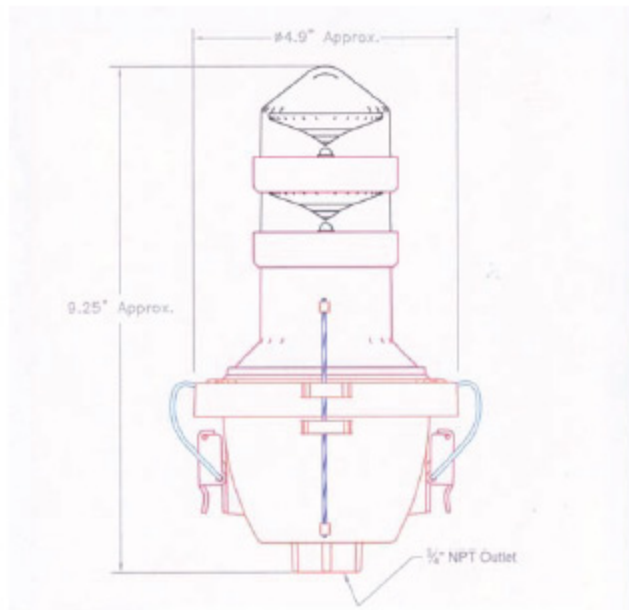
Use

FarLight L-810LED2 obstruction lights provide an LED based solution to the FAA L-810 style of steady-burning lights. The L-810LED2 is currently available in both single and dual configurations operating at 120, 240 & 277 VAC or 12/24/48 VDC. Each configuration is available as original equipment or as direct lens/lamp field retrofit to existing L-810 OB Series obstruction lights. Applications include arctic environments when using optional arctic kit.

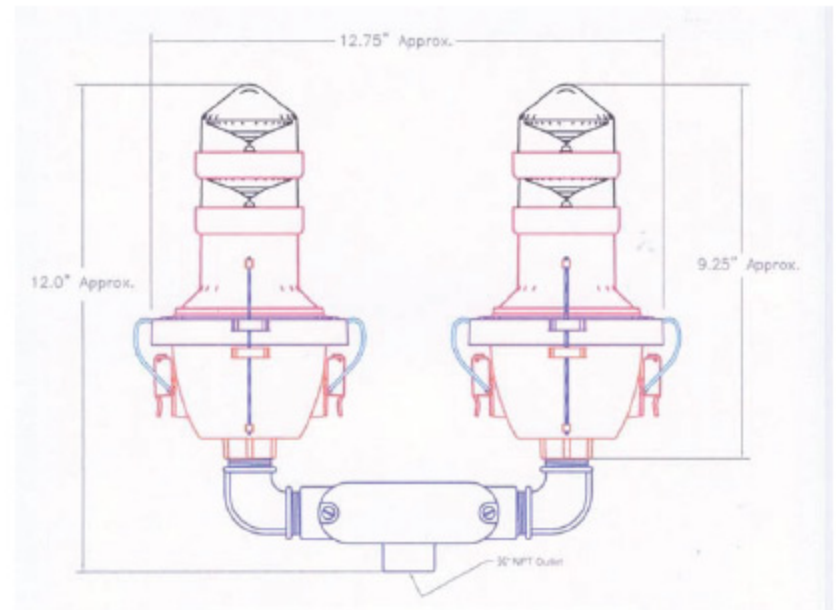
- Lasts up to 20 times longer than an incandescent light
- 95% less power than an equivalent incandescent light
- 8-watts power consumption
- Available in single and dual configurations with bottom conduit outlets
- Weather/corrosion resistant
- Self contained wiring compartment eliminates additional boxes
- Can be operated as steady-burning (ETL Certified) or flashing light
- Resistant to shock and vibration
- Direct replacement for existing incandescent lighting
- 5 year warranty



MECHANICAL DIMENSIONS



Single Bottom Out $\frac{3}{4}$ " (SB3)



Double Bottom Out $\frac{3}{4}$ " (SB3)

SHIPPING INFORMATION

PART NUMBER	APPROX. SHIP WEIGHT	CARTON DIMENSIONS
L-810LED2 (single)	4 lbs (1.8 kg)	14" x 7" x 13"
L-810LED2 (double)	8 lbs (3.6 kg)	14" x 7" x 13"